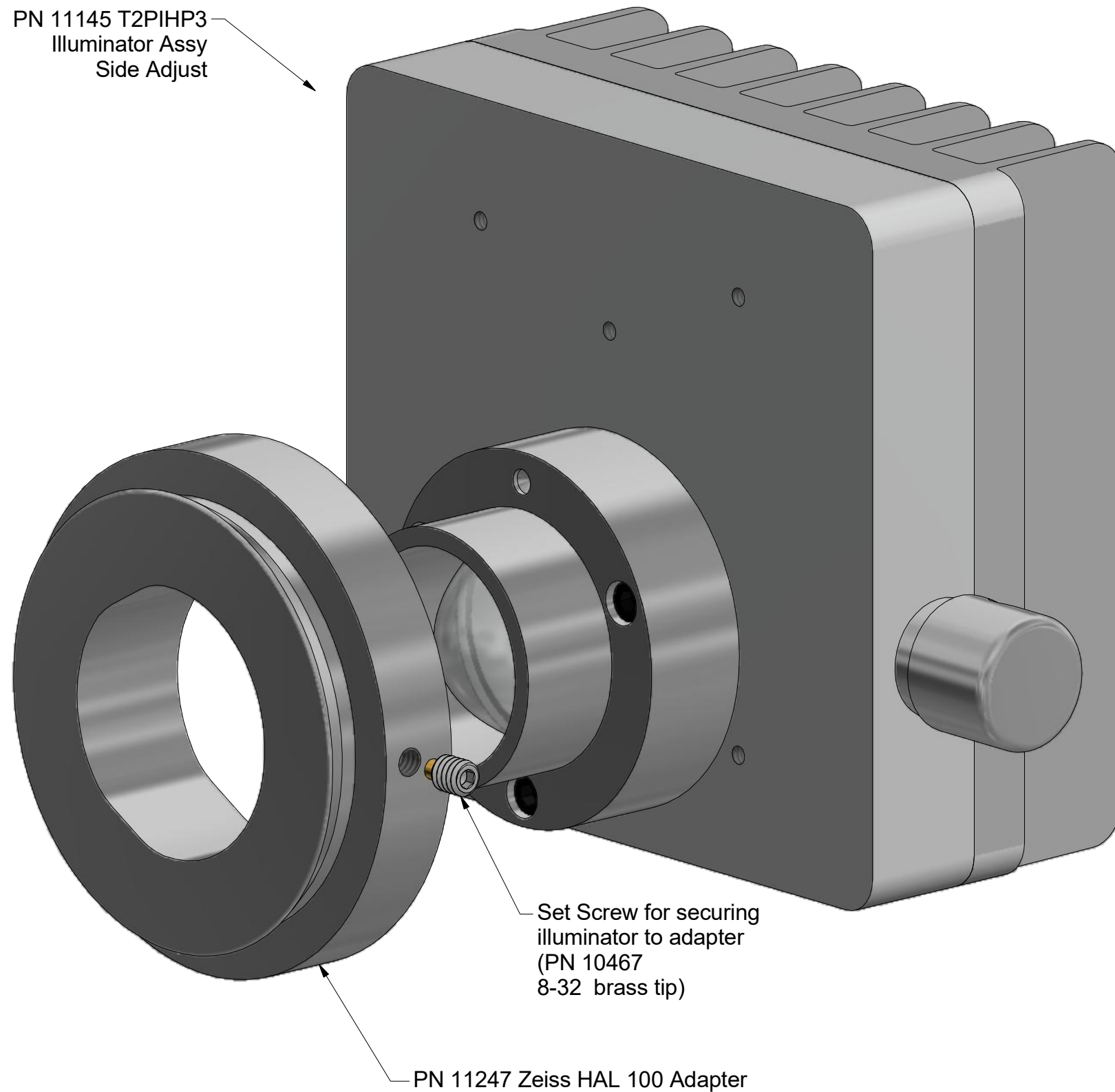


Nanodyne Replacement For Zeiss HAL Illuminator: Included Items

PN 11145 T2PIHP3
Illuminator Assy
Side Adjust



Set Screw for securing
illuminator to adapter
(PN 10467
8-32 brass tip)

PN 11247 Zeiss HAL 100 Adapter

Additional Items Included But Not Shown:

PN 10490 Hex Key 5/64 inch (for securing illuminator assembly to adapter)

Installation:

Loosen the thumbscrew holding the original illuminator and remove it.

Insert the new Nanodyne adapter (where the original illuminator was) and tighten the thumbscrew.

Insert the new Nanodyne illuminator into the adapter and secure by tightening the set screw using the 5/64 hex key provided.

Connect the power supply and power cable and the unit is ready to operate.

Operation:

Light intensity is controlled by the knob as shown to the left.

Turn the knob clockwise to increase. When fully counterclockwise the unit is off.

There is no separate switch. The unit may have a detent "click" when turned counterclockwise to verify the off position, but will be fully off regardless when counterclockwise. Do not force the knob at either end of the rotation.



PN 11163 Power Supply 5V 2.1A
and PN 10734 Power Cable
1.35mm ID/3.5mm OD x USB A 6 ft.

The illuminator may be powered by plugging the cable into the power supply provided, or into a suitable USB port on a computer or other device.

Power supplies are subject to substitution without notice due to availability issues and changes in regulations.



PN 10736 Rubber plug to block unused AC power receptacle.

Wayne Bonin	3/23/2019
PN 11248 Zeiss HAL 100 Illuminator System	REV 2
SHEET 1 OF 1	